



# QUICKDRAIN UNIVERSAL FLANGE ADAPTOR FULL ASSEMBLY KIT TECHNICAL SPECIFICATION

Job Name _____	Item # _____
Location _____	
Engineer _____	Contractor _____
PO # _____	Tag _____
Representative _____	

## DESCRIPTION

The QuickDrain Universal Flange Adaptor is made of reinforced nylon (33GFPA) and molded in the USA. It is available in 2 sizes, large and small suitable to 4", 5" and 6" SquareDrain bodies. The flange adaptor shall have universal bolt slots which can accommodate longer hex bolts and include washers to be fastened to most numerous drain bases. It shall have a molded TPE dual profile gasket which seals to most PVC/ABS drain bases to upgrade or retrofit from traditional pan liner to topical membrane waterproofing. It shall have integrated threads and a weep zone to allow water to properly migrate to the drain. The flange shall be textured to bond topical fabric membrane with thinset and is compatible to topical liquid applied waterproofing.

## NOTE

Drain capacity for 2" outlet is 12 GPM in a properly waterproofed shower pan with curb (the actual volume is limited by the plumbing lines and P-trap).

## APPLICATIONS/USES

- Industrial, commercial and residential showers
- Gang showers
- Pet Showers

## SUITABLE SUBSTRATES (INTERIOR ONLY)

- Concrete
- Exterior Glue Plywood
- Cement backer board\*\*
- OSB or Avantech

\*\*Consult cement backer board manufacturer for specific installation recommendations

## OPTIONAL ACCESSORIES

Drain Body Components: 4", 5", or 6" 304 Stainless Steel Drain Body, Tool-Free Test Plug,

Shower Pan Accessories: PET Point Pan, PET Extensions, Curb Forms

Waterproofing Accessories:  
Sheet Membrane

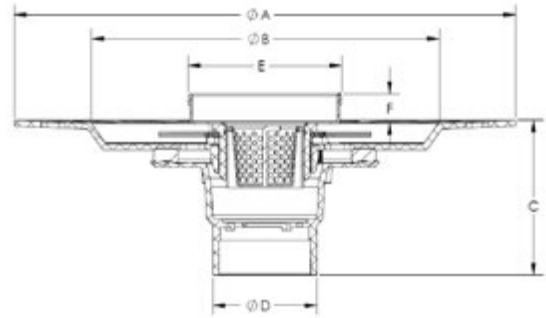
- QTS waterproofing kit(s)

Liquid Applied Membrane

- Curb Covers, Inside Corners, Reinforcement Collar, Reinforcement Fabric

## APPROVALS AND LISTINGS

Before installing QuickDrain USA system, check with your local building department/plumbing inspector to ensure compliance with the local building codes. QuickDrain USA LLC is not responsible for any conflicts with local building codes. QuickDrain USA LLC is not responsible for improper installation of any part of the assembly or the waterproofing membrane. Dimensions are subject to manufacturer's tolerance and can change without notice.

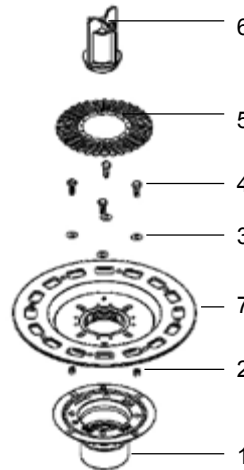


## DIMENSIONS - LARGE ADAPTOR

[A]:	Flange	13"
[B]:	Recess Width	9"
[C]:	Assembled Height	4"
[D]:	Hub Dimension	2" Sch 40
[E]:	Drain Body Available in	4", 5", 6"
[F]:	Drain Body Depth	¾"

## DIMENSIONS - SMALL ADAPTOR

[A]:	Flange	10-1/2"
[B]:	Recess Width	6-1/2"
[C]:	Assembled Height	4"
[D]:	Hub Dimension	2" Sch 40
[E]:	Drain Body Available in	4"
[F]:	Drain Body Depth	¾"



Item	Description	Qty
1	Low Profile Drain Base (ABS or PVC)	1
2	Brass Inserts	4
3	Washers	4 each
4	Hex Bolts	4 each
5	Weep Protector	1
6	Tool-Free Test Plug	1
7	Flange Adaptor	1

## PRODUCT SELECTOR

UNIVERSAL FLANGE ADAPTOR FULL KIT				
✓	Drain Base Material	Flange Adaptor Size	Drain Body Size	Product Number
	PVC	Small	Universal designed for 4" Drain Body	QDPVCFULLKIT-SF
	ABS	Small	Universal designed for 4" Drain Body	QDABSFULLKIT-SF
	PVC	Large	Universal, designed for 5" or 6" Drain Bodies	QDPVCFULLKIT-LF
	ABS	Large	Universal, designed for 5" or 6" Drain Bodies	QDABSFULLKIT-LF

Access BIM/Revit content through [www.quickdrainusa.com](http://www.quickdrainusa.com)