



# LVBSS SHORT LEVELING BRACKET TECHNICAL SPECIFICATION

Job Name _____	Item # _____
Location _____	
Engineer _____	Contractor _____
PO # _____	Tag _____
Representative _____	

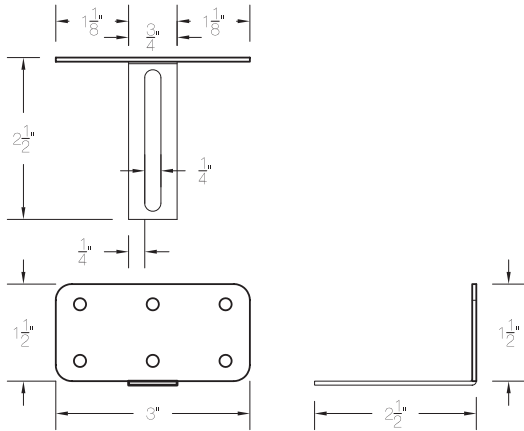
## DESCRIPTION

- Made of 16 gauge cold rolled steel.
- Placed on either end of drain body with screws to hold drain level - laterally and bilaterally - during installation process.
- Two piece system with wall mounted bracket and drain body bracket.

## INSTALLATION NOTES

- Install product according to the installation guide.

### WALL MOUNTED BRACKET



### DRAIN BODY BRACKET

